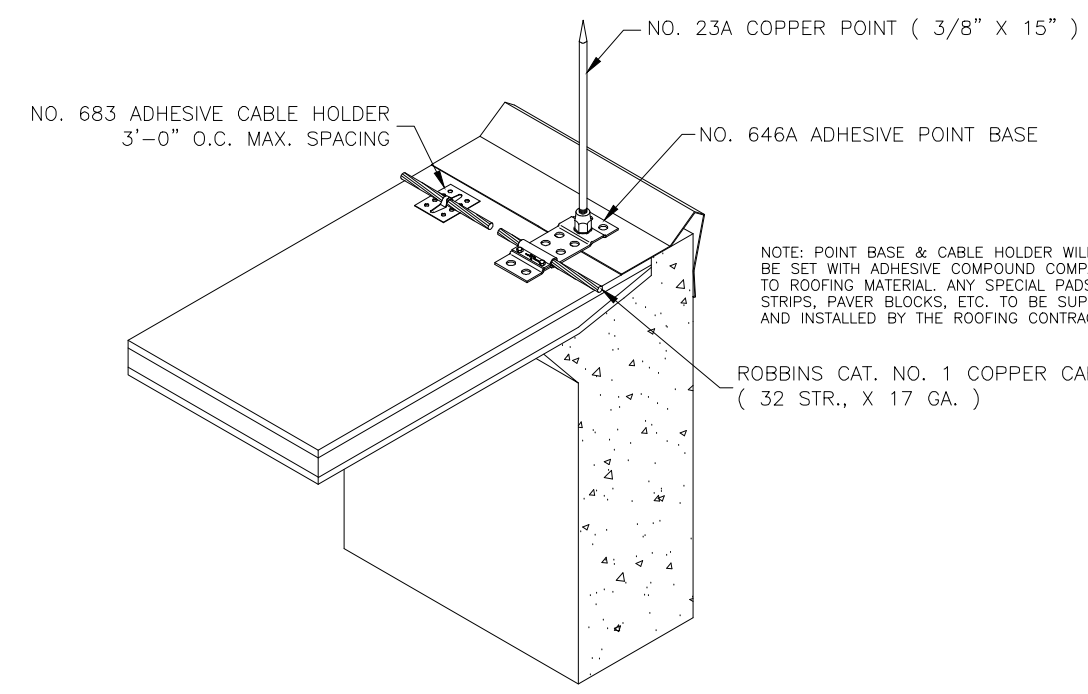
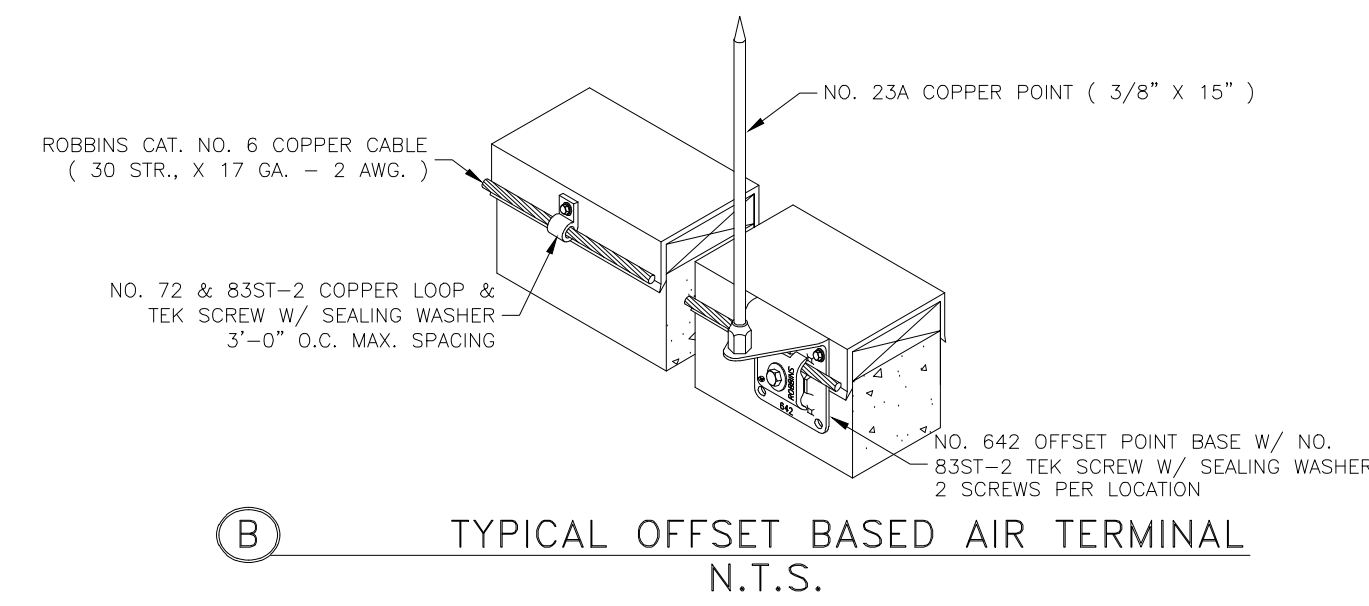


# Lightning Protection Example Typical Concealed Commercial Building

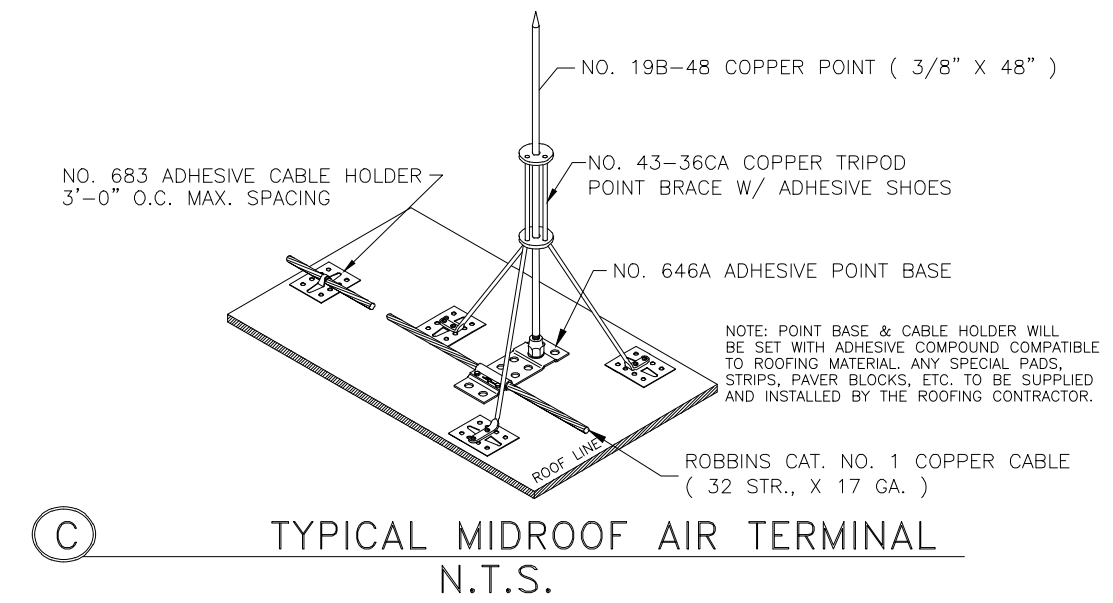
THE DESIGN & DETAILS SHOWN WILL MEET THE REQUIREMENTS OF UNDERWRITERS LABORATORY CODE 96/96A, NATIONAL FIRE PROTECTION ASSOCIATION CODE 780 & THE LIGHTNING PROTECTION INSTITUTE CODE 175 FOR LIGHTNING PROTECTION SYSTEMS



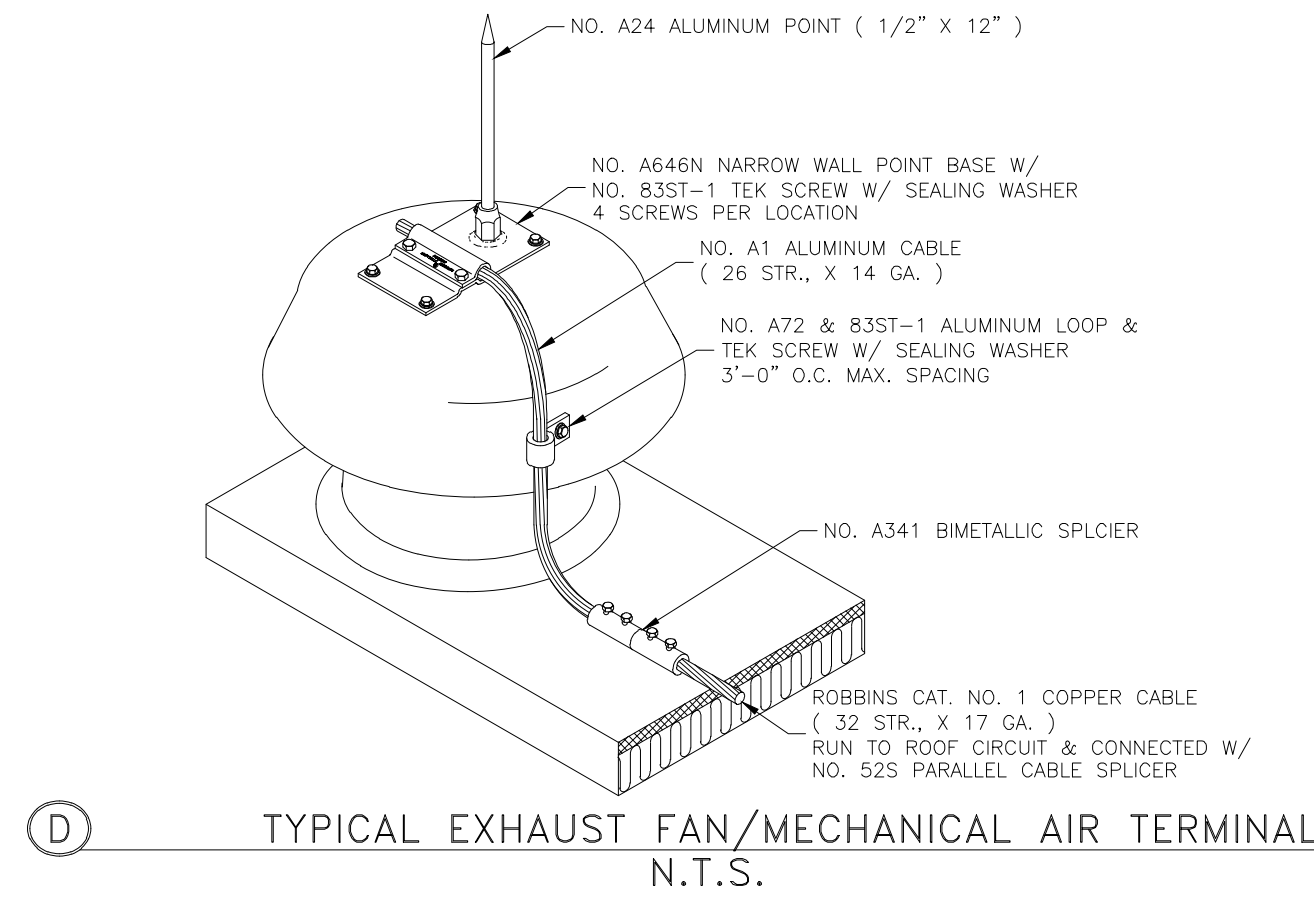
**A** TYPICAL ADHESIVE AIR TERMINAL  
N.T.S.



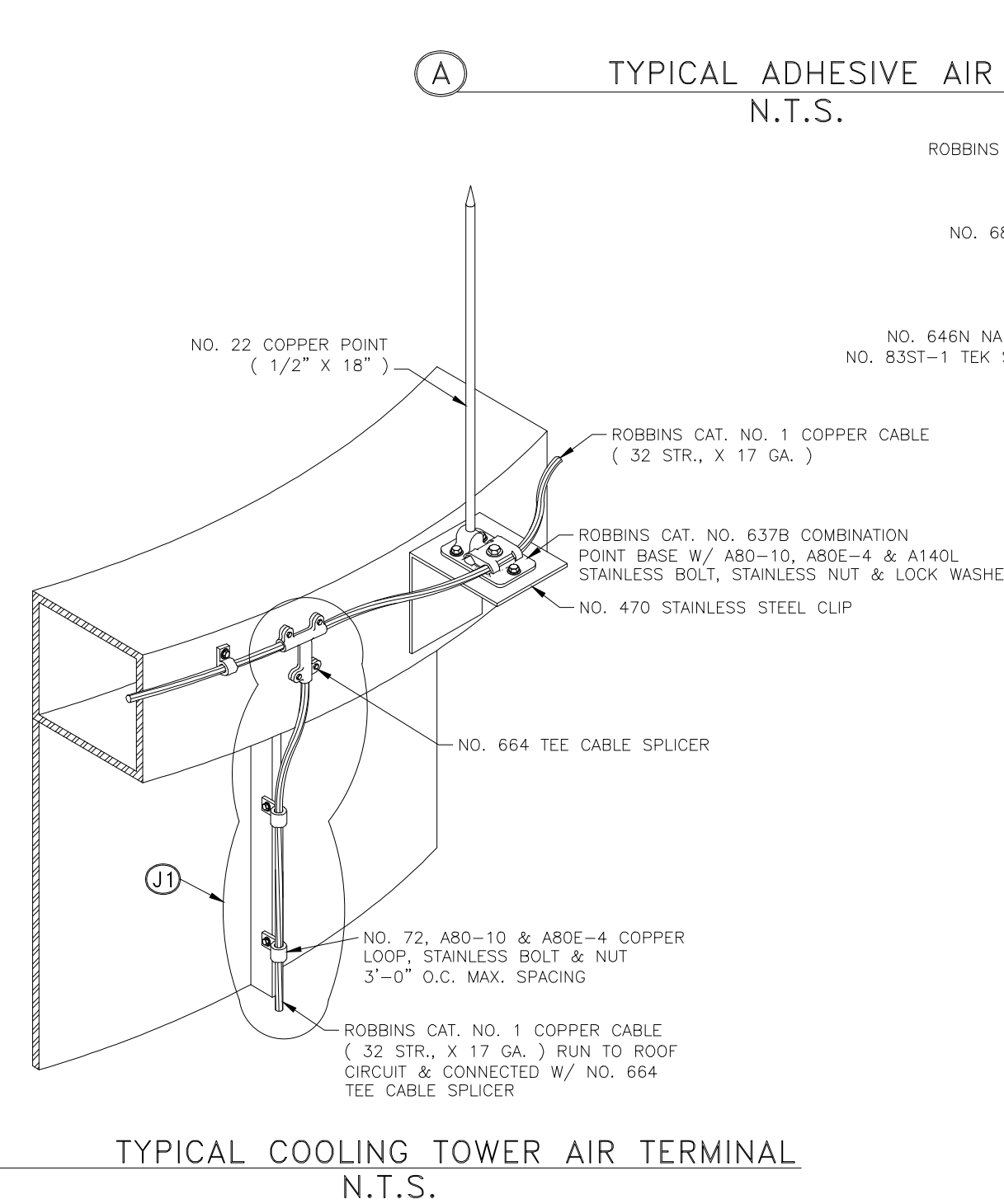
**B** TYPICAL OFFSET BASED AIR TERMINAL  
N.T.S.



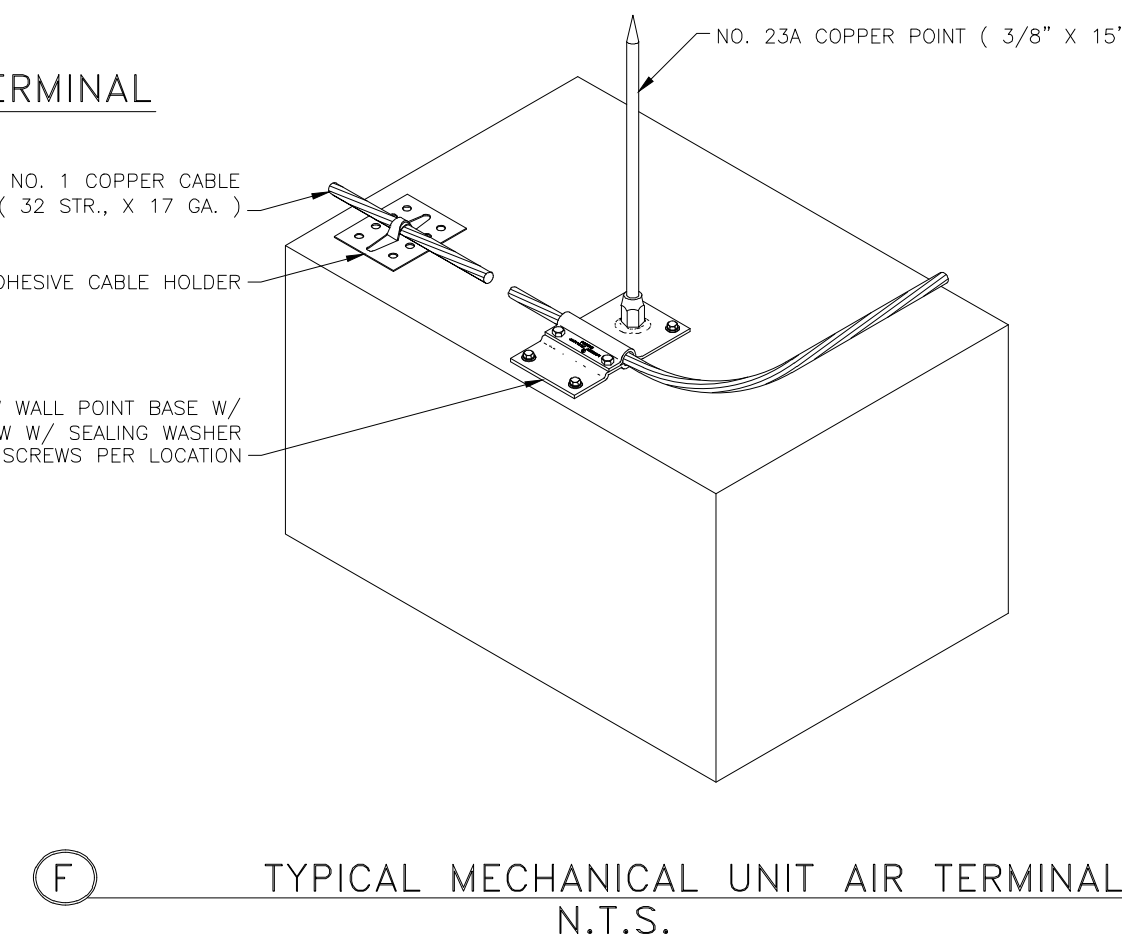
**C** TYPICAL MIDROOF AIR TERMINAL  
N.T.S.



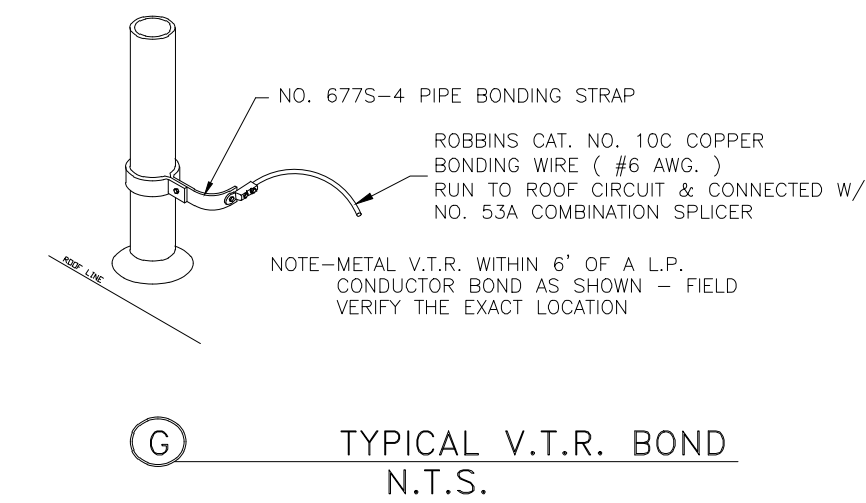
**D** TYPICAL EXHAUST FAN/MECHANICAL AIR TERMINAL  
N.T.S.



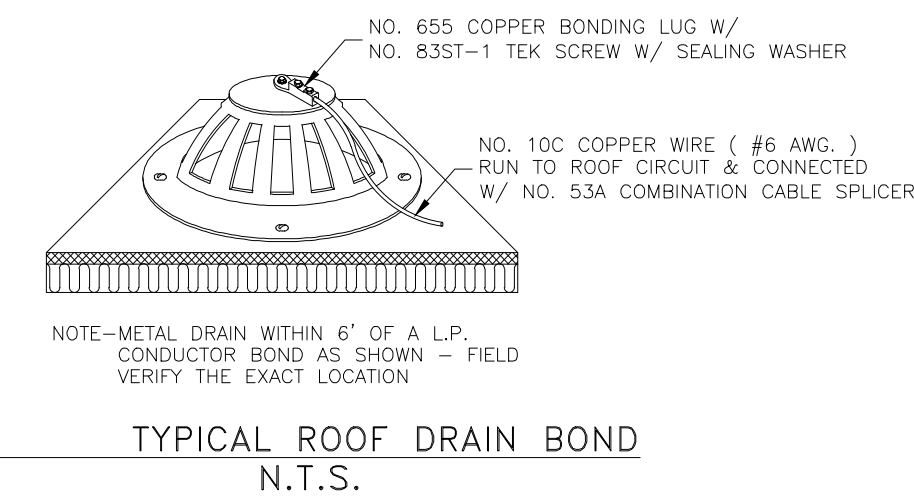
**E** TYPICAL COOLING TOWER AIR TERMINAL  
N.T.S.



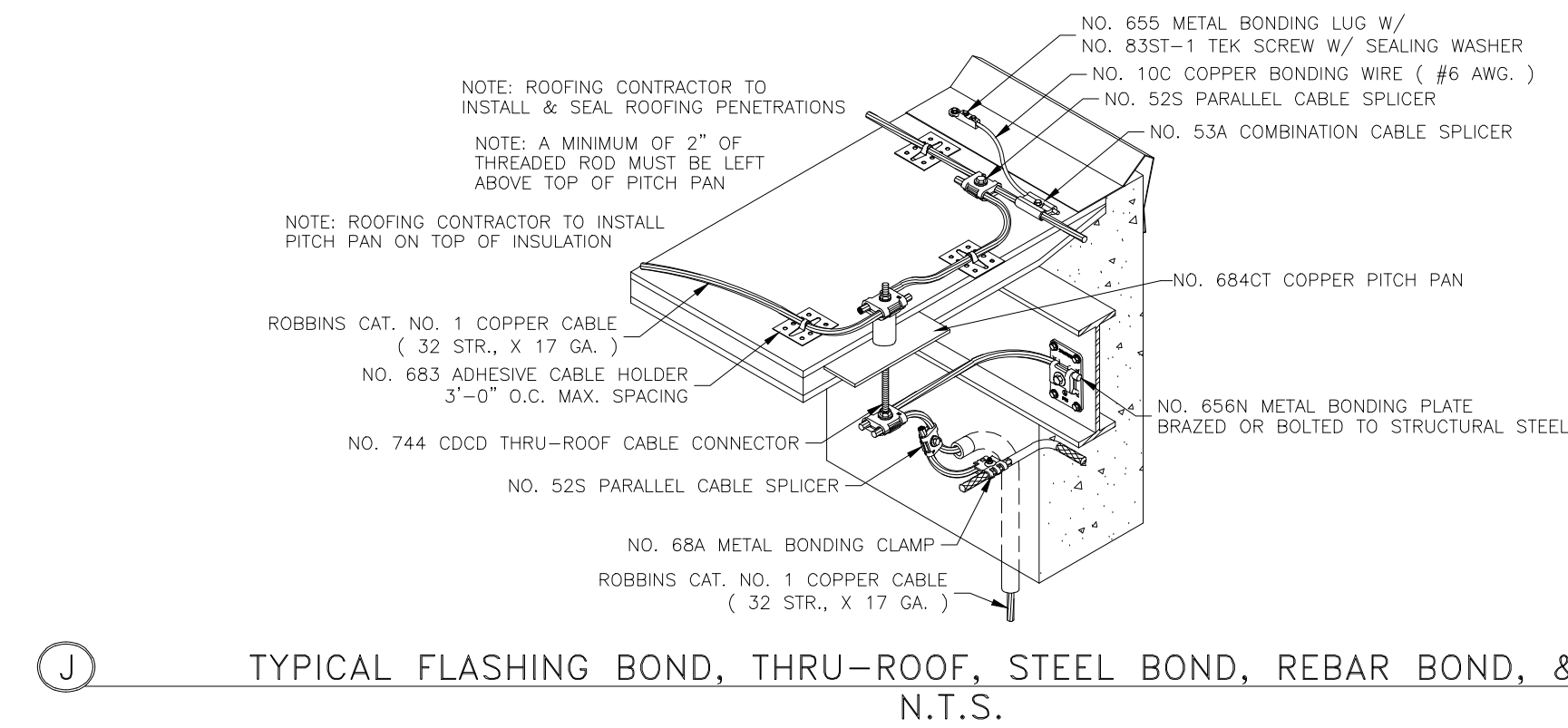
**F** TYPICAL MECHANICAL UNIT AIR TERMINAL  
N.T.S.



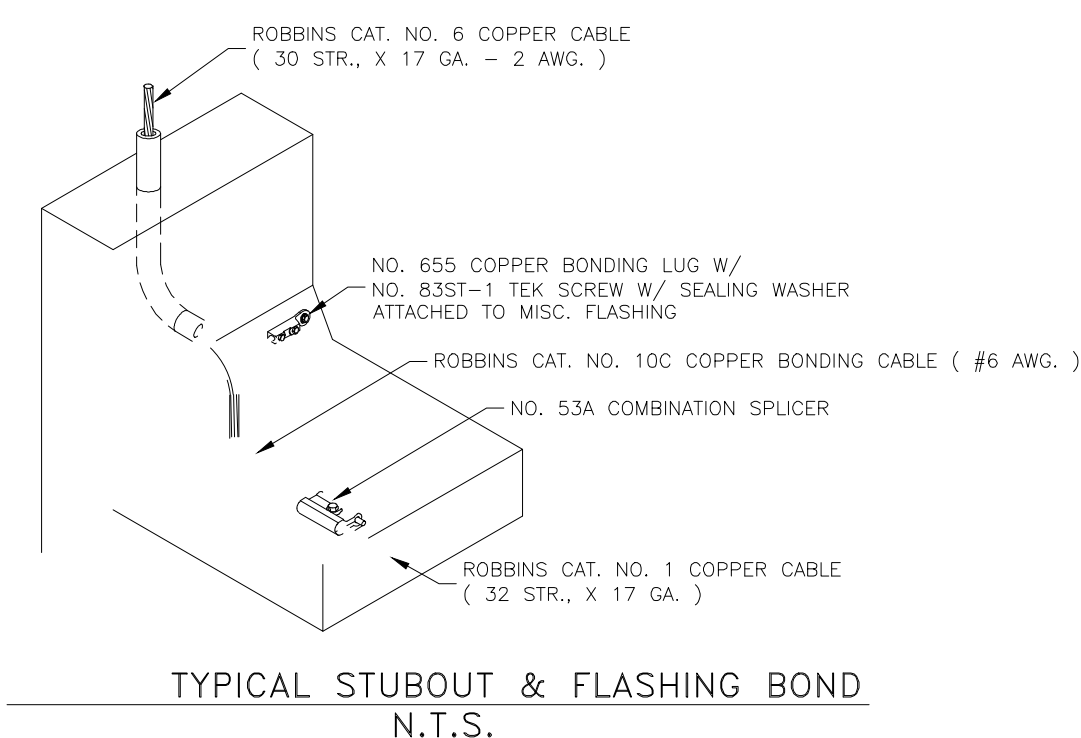
**G** TYPICAL V.T.R. BOND  
N.T.S.



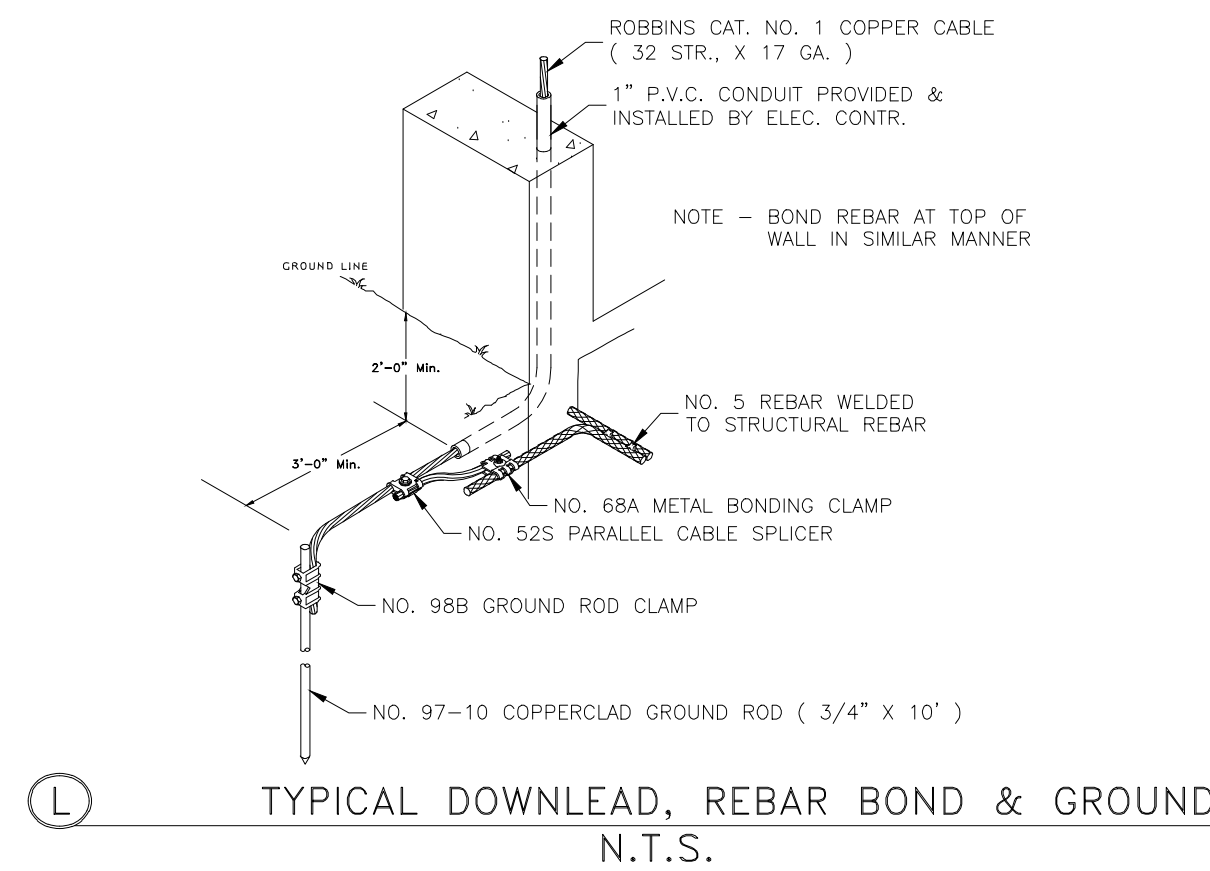
**H** TYPICAL ROOF DRAIN BOND  
N.T.S.



**J** TYPICAL FLASHING BOND, THRU-ROOF, STEEL BOND, REBAR BOND, & DOWNLEAD  
N.T.S.



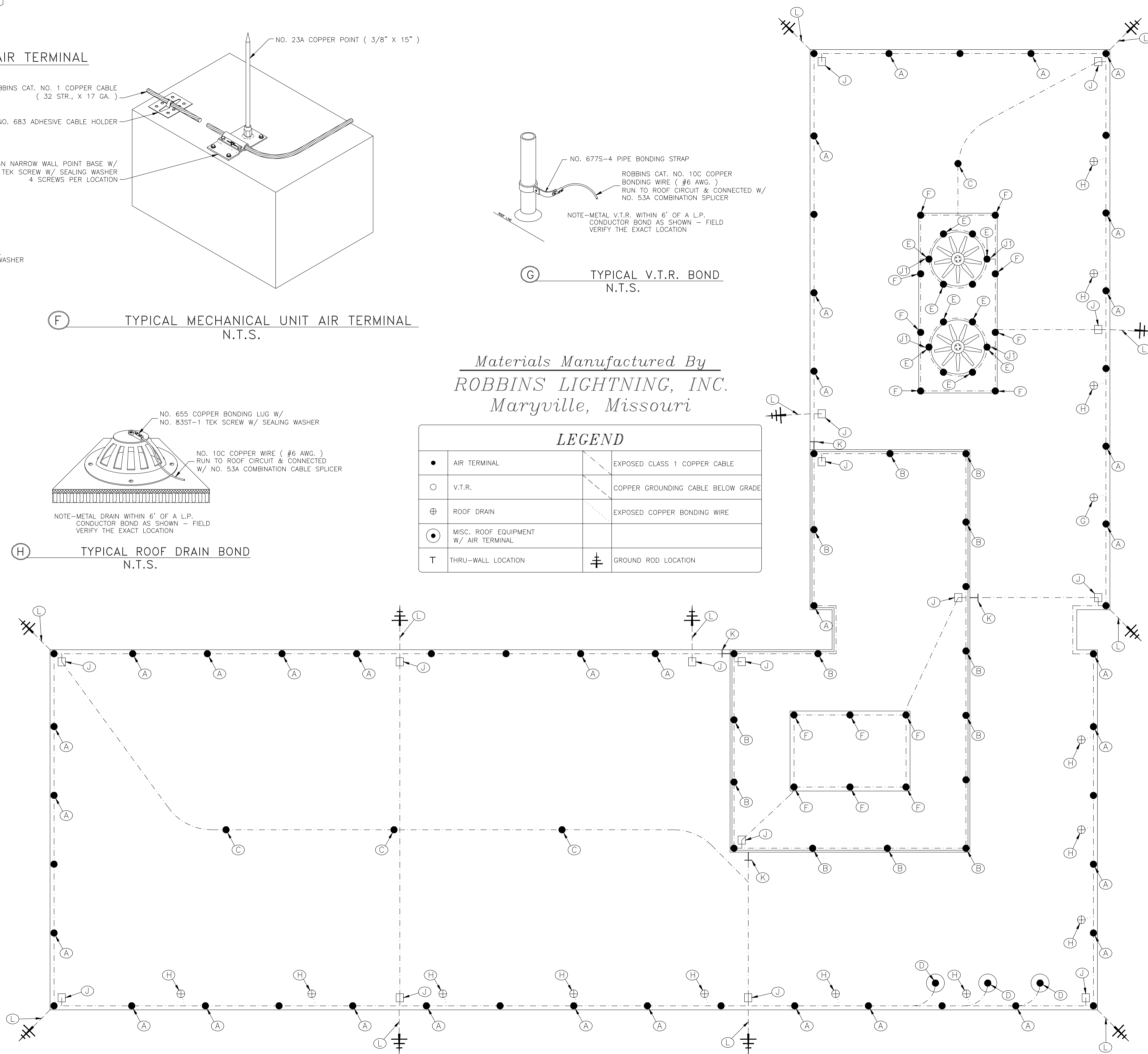
**K** TYPICAL STUBOUT & FLASHING BOND  
N.T.S.



**L** TYPICAL DOWNLEAD, REBAR BOND & GROUND  
N.T.S.

Materials Manufactured By  
**ROBBINS LIGHTNING, INC.**  
Maryville, Missouri

LEGEND			
●	AIR TERMINAL	—	EXPOSED CLASS 1 COPPER CABLE
○	V.T.R.	—	COPPER GROUNDING CABLE BELOW GRADE
⊕	ROOF DRAIN	—	EXPOSED COPPER BONDING WIRE
⊙	MISC. ROOF EQUIPMENT W/ AIR TERMINAL		
⊚	THRU-WALL LOCATION	⊚	GROUND ROD LOCATION



LIGHTNING PROTECTION ROOF PLAN  
( 1/32" = 1'-0 )