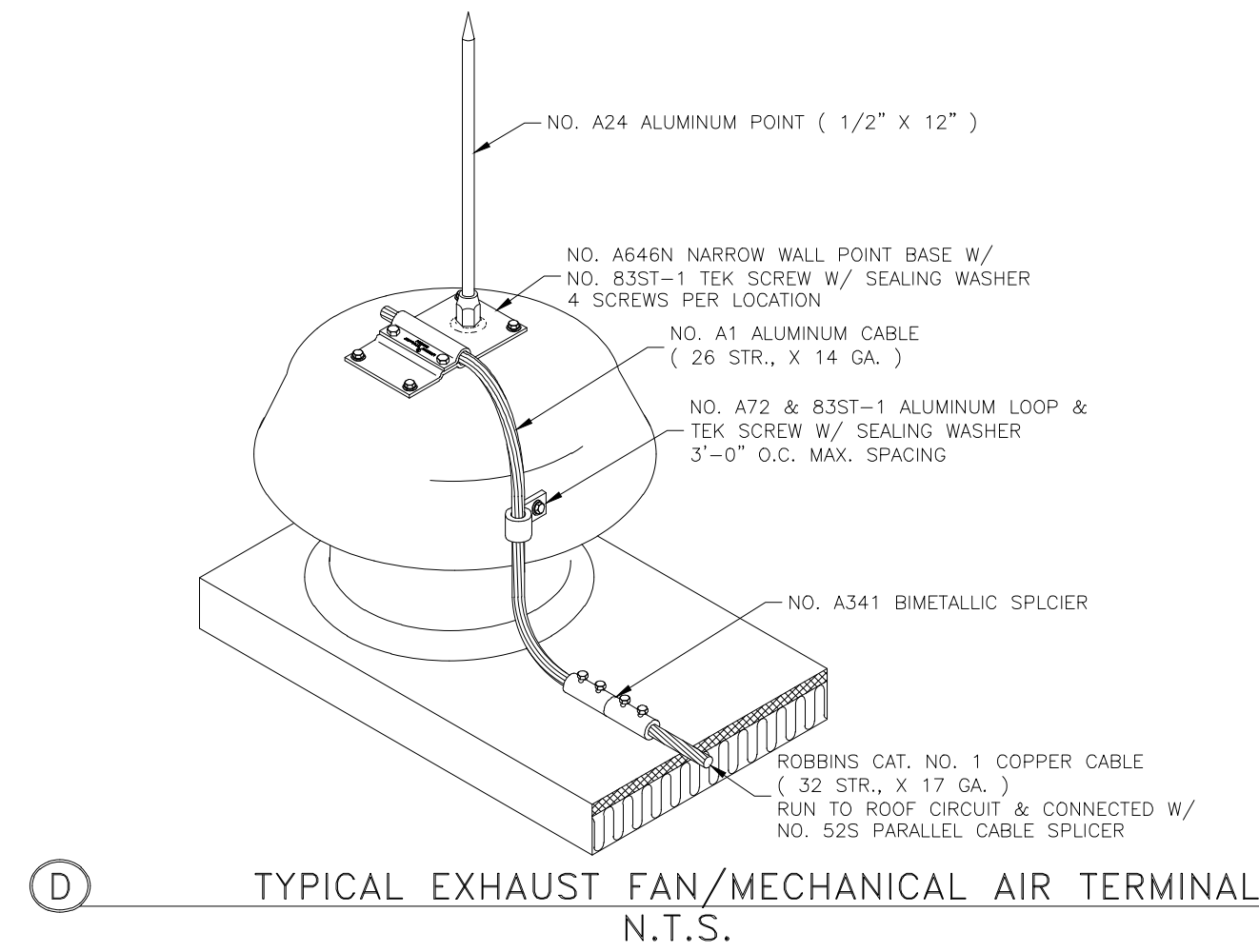
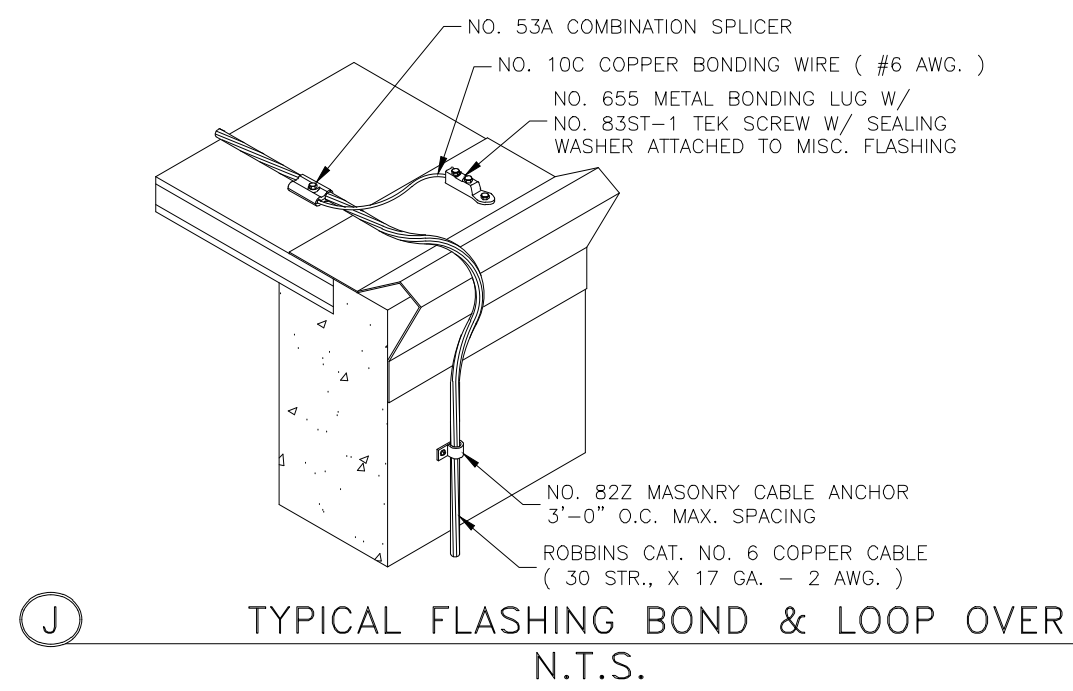


Lightning Protection Example Typical Exposed Commercial Building

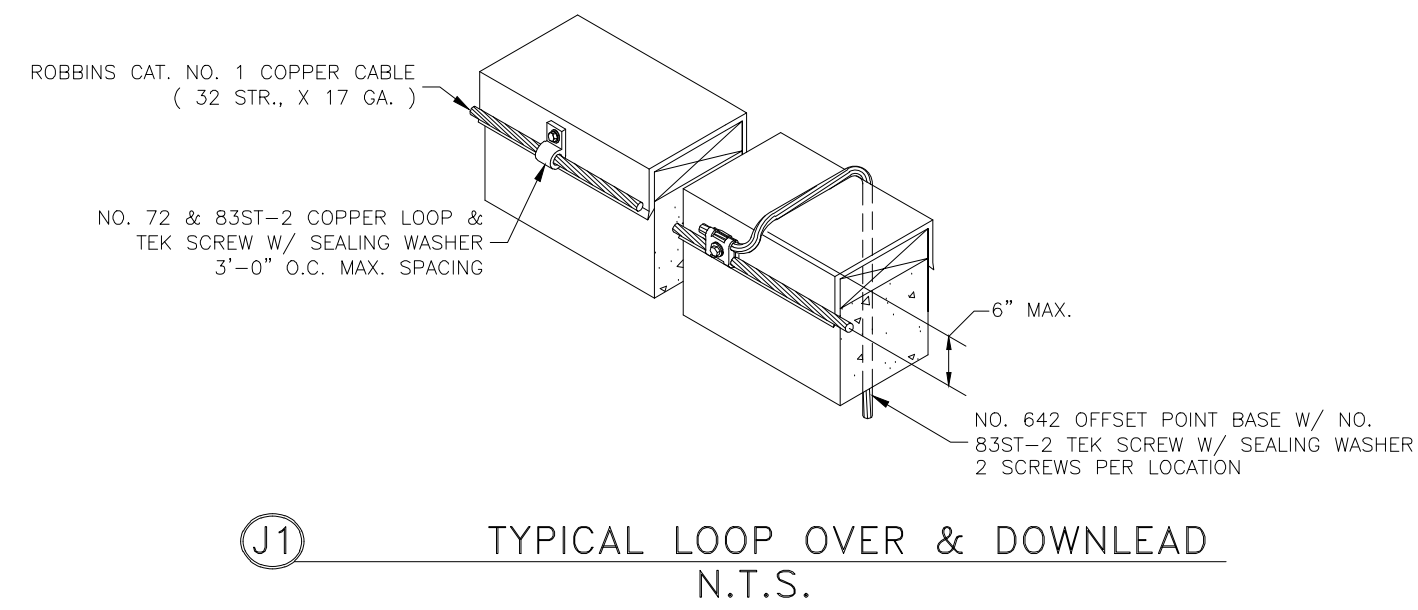
THE DESIGN & DETAILS SHOWN WILL MEET THE REQUIREMENTS OF UNDERWRITERS LABORATORY CODE 96/96A, NATIONAL FIRE PROTECTION ASSOCIATION CODE 780 & THE LIGHTNING PROTECTION INSTITUTE CODE 175 FOR LIGHTNING PROTECTION SYSTEMS



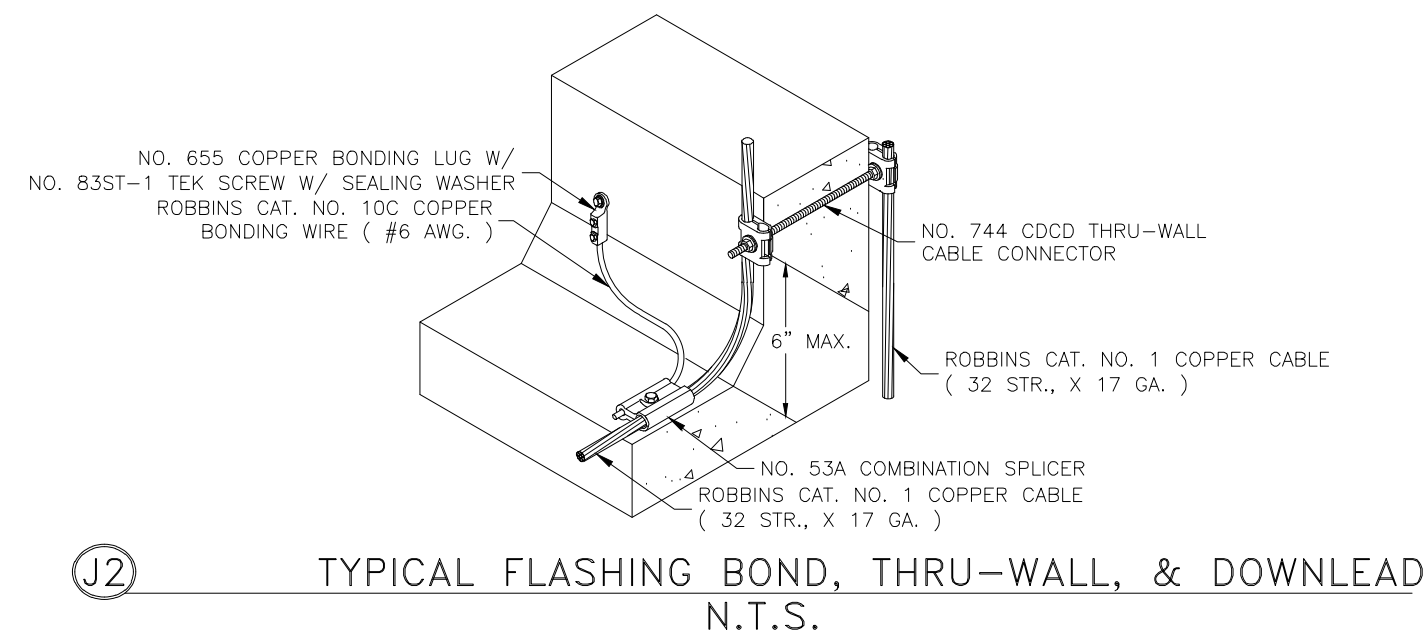
D TYPICAL EXHAUST FAN/MECHANICAL AIR TERMINAL
N.T.S.



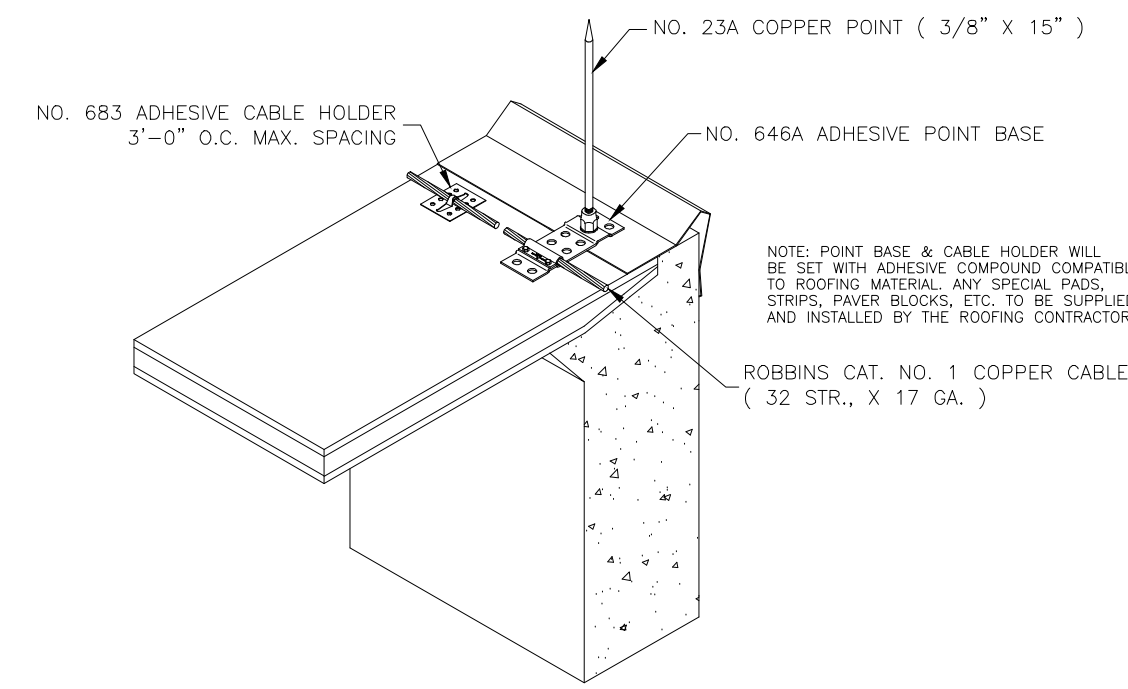
J TYPICAL FLASHING BOND & LOOP OVER
N.T.S.



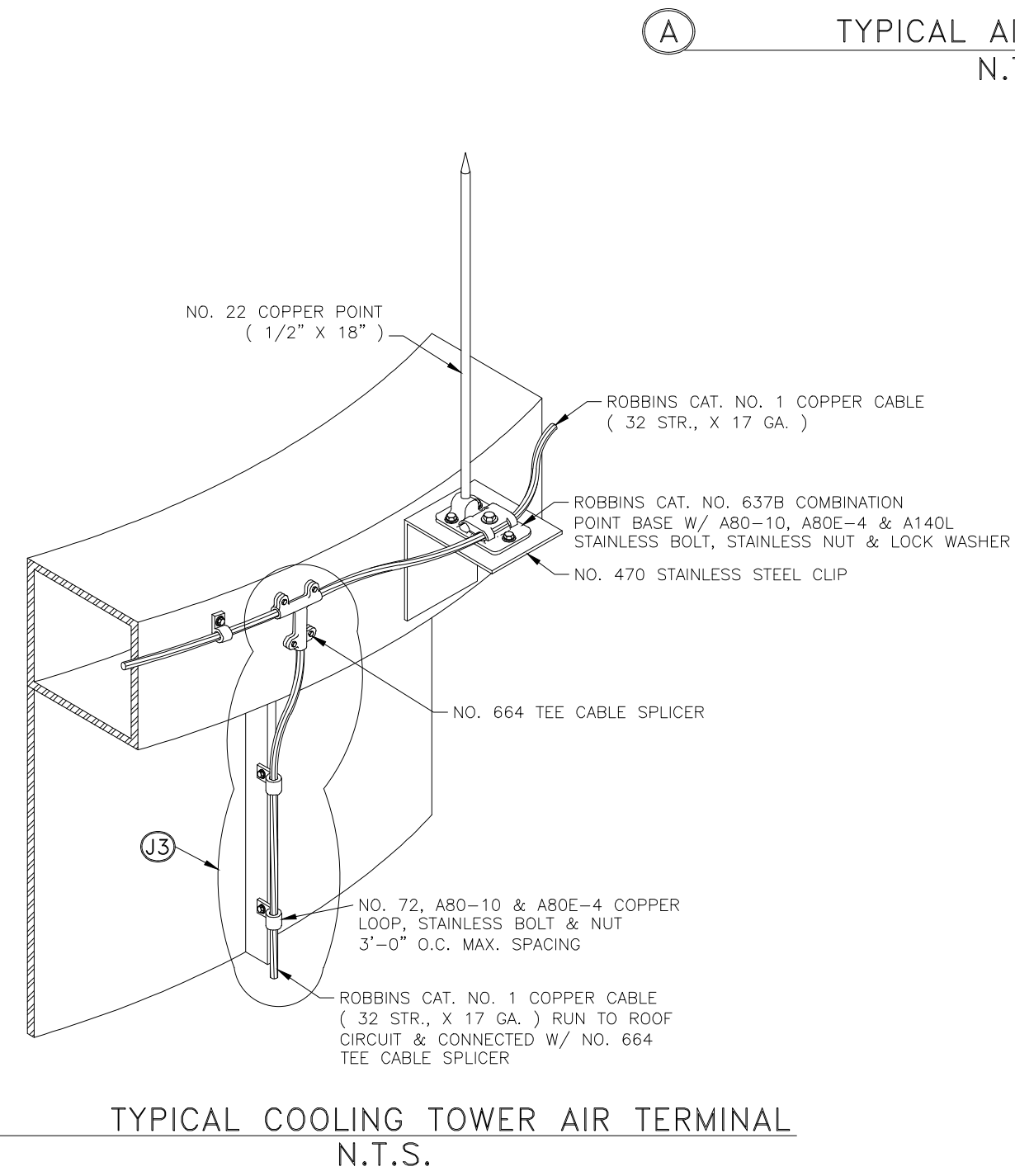
J1 TYPICAL LOOP OVER & DOWNLEAD
N.T.S.



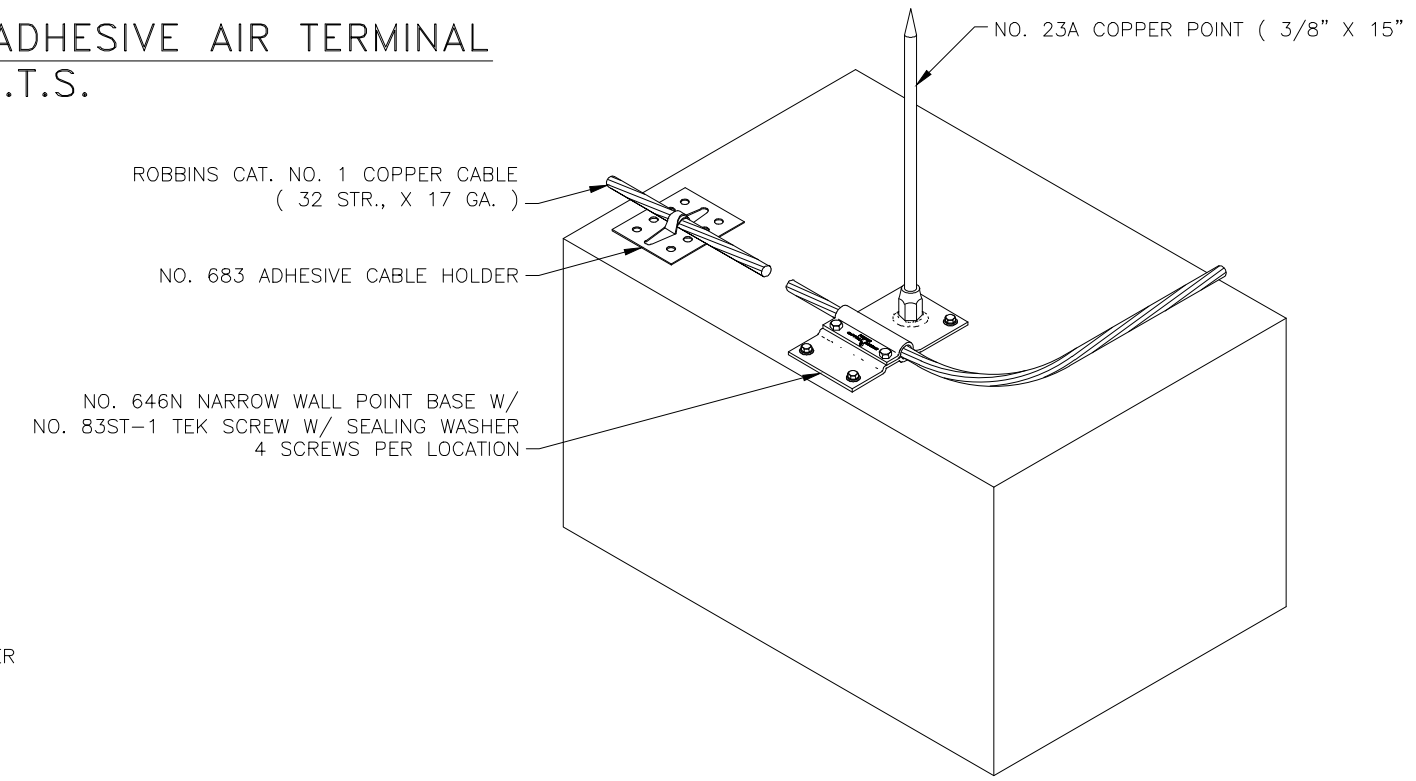
J2 TYPICAL FLASHING BOND, THRU-WALL, & DOWNLEAD
N.T.S.



A TYPICAL ADHESIVE AIR TERMINAL
N.T.S.

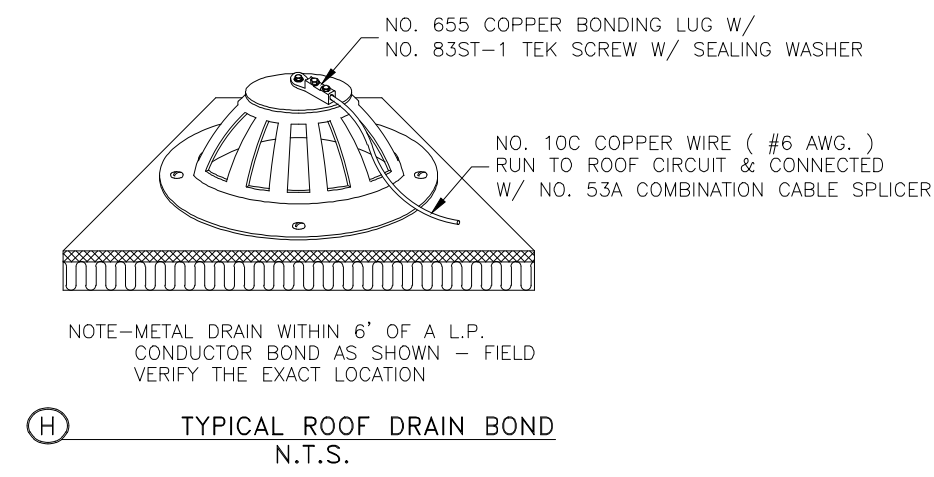


E TYPICAL COOLING TOWER AIR TERMINAL
N.T.S.

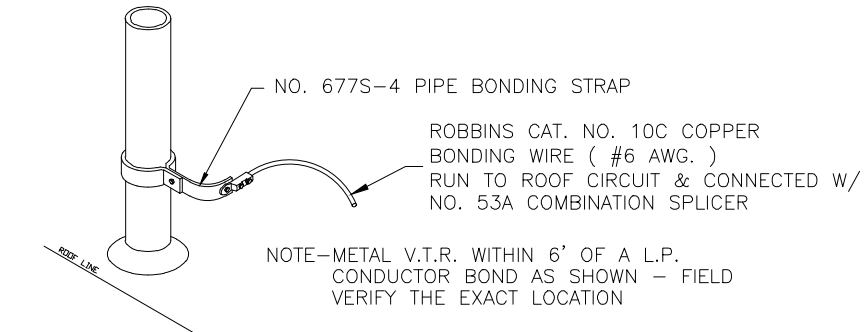


B TYPICAL OFFSET BASED AIR TERMINAL
N.T.S.

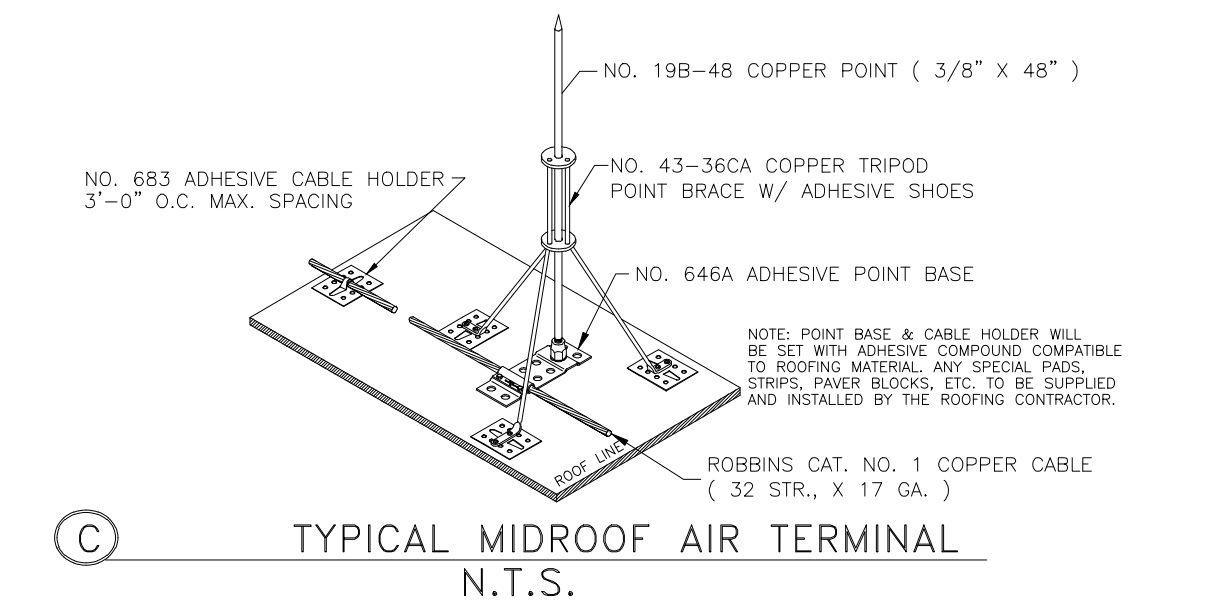
F TYPICAL MECHANICAL UNIT AIR TERMINAL
N.T.S.



H TYPICAL ROOF DRAIN BOND
N.T.S.



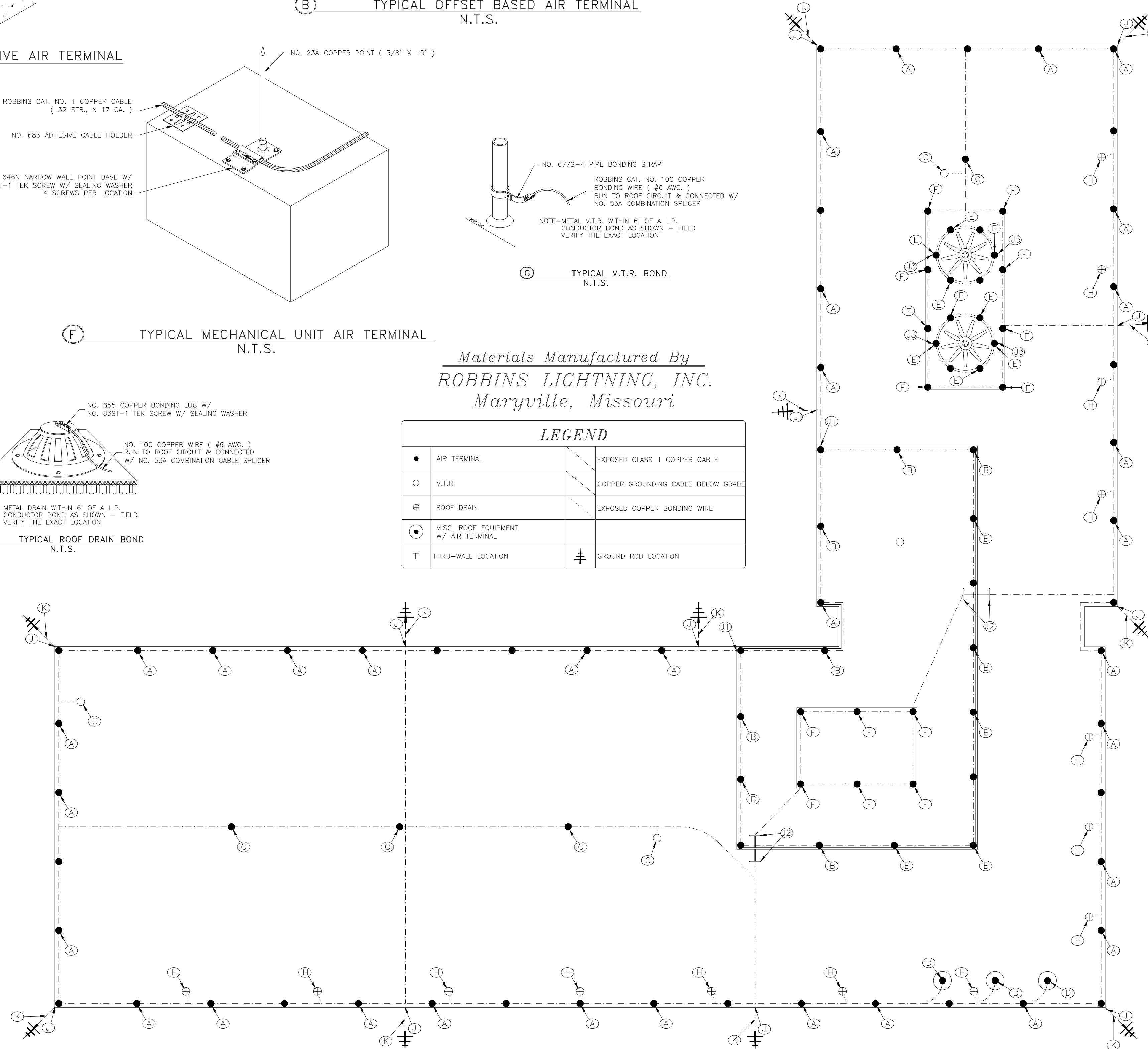
G TYPICAL V.T.R. BOND
N.T.S.



C TYPICAL MIDROOF AIR TERMINAL
N.T.S.

Materials Manufactured By
ROBBINS LIGHTNING, INC.
Maryville, Missouri

LEGEND			
●	AIR TERMINAL	—	EXPOSED CLASS 1 COPPER CABLE
○	V.T.R.	—	COPPER GROUNDING CABLE BELOW GRADE
⊕	ROOF DRAIN	—	EXPOSED COPPER BONDING WIRE
⊙	MISC. ROOF EQUIPMENT W/ AIR TERMINAL		
T	THRU-WALL LOCATION	⊕	GROUND ROD LOCATION



LIGHTNING PROTECTION ROOF PLAN
(1/32" = 1'-0")